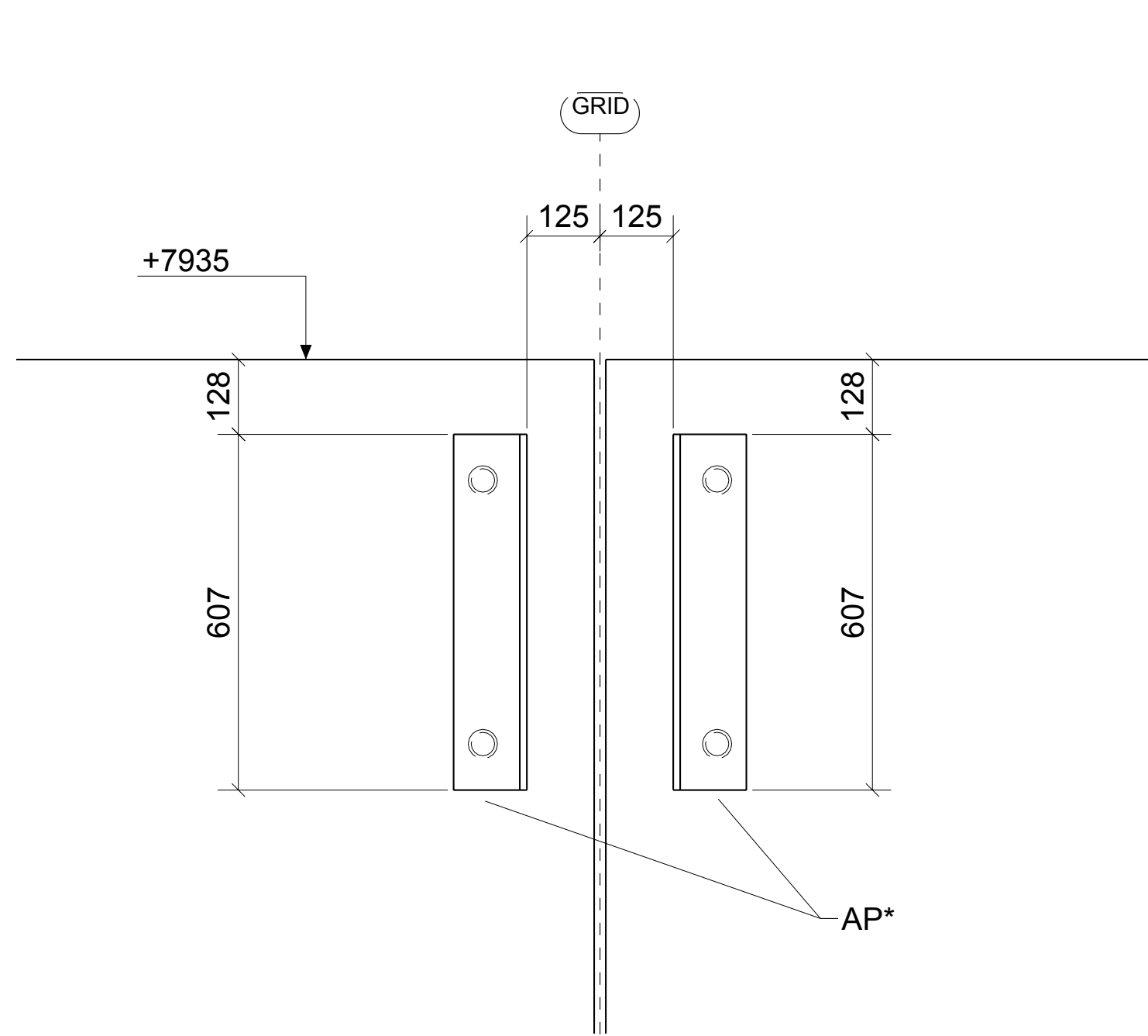
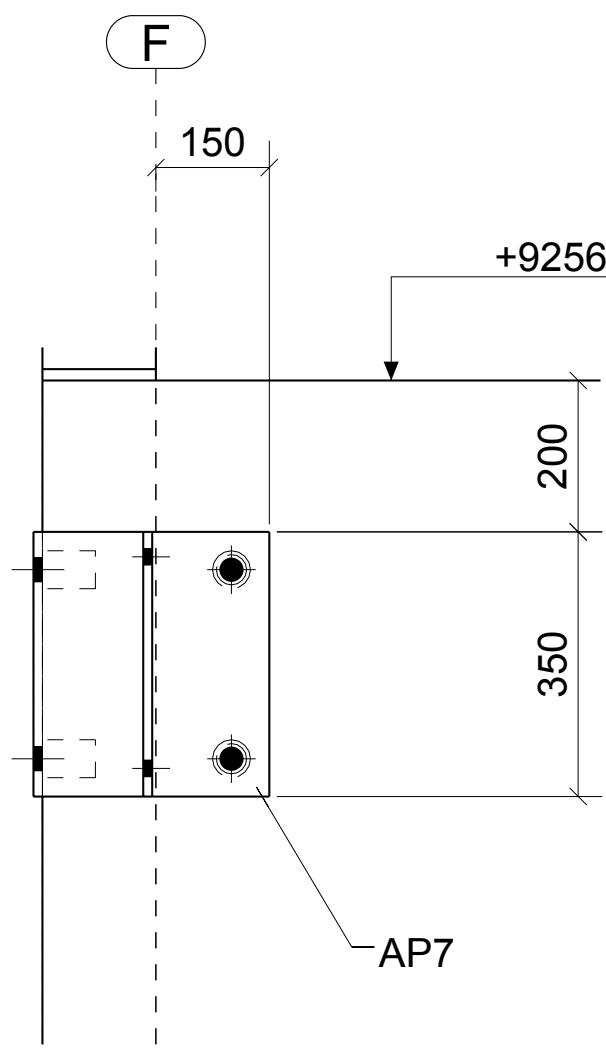


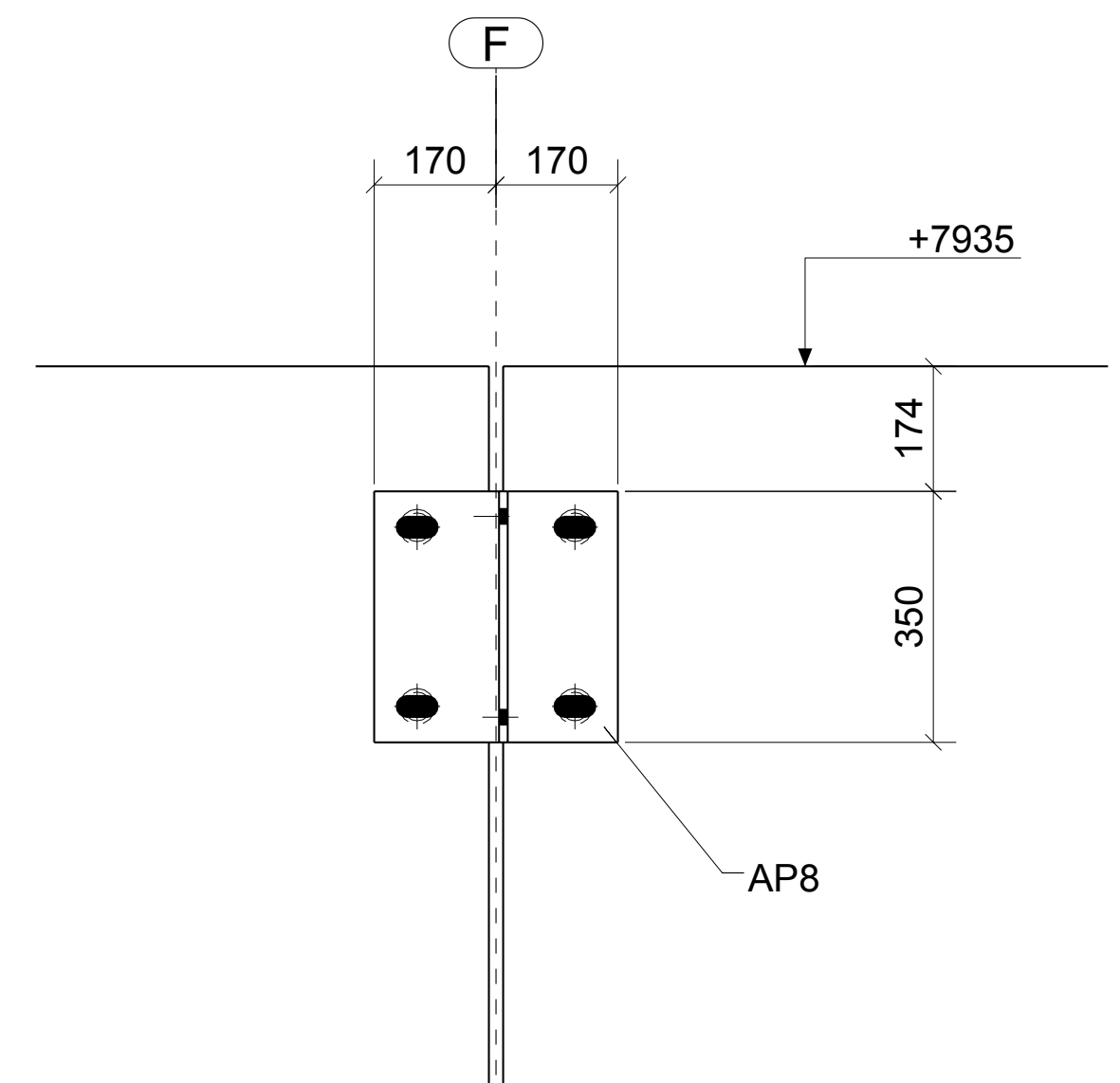
ELEVATION INSIDE PANELS GRID G



TYP. DETAIL AT INSIDE PANELS GRIDS 1 & 6
FOR FIXING WAREHOUSE TRUSSES



ELEVATION ON PLATE AP7



ELEVATION ON PLATE AP8

ERECTION NOTES

1. ERECT HORIZ. & DIAG. MEMBERS WITH THEIR ASSEMBLY MARK ON TOP FACE & ON THE SAME END AS SHOWN ON THIS PLAN.
2. FIN PLATES FOR CHANNELS ARE ON HEEL UNLESS SHOWN OTHERWISE.
3. FIN PLATES FOR BEAMS WILL BE ON NORTH OR WEST SIDE OF BEAM WEB, UNLESS SHOWN OTHERWISE, ie. ERECT BEAMS TO SOUTH OR EAST SIDE OF CLEAT.

G & R SHOP DETAILING
 11 The Boulevard
 Brisbane, Qld. 4507.
 Ph. 07 34082944
 Fx. 07 34080151
 graeme@grshopdetailing.com.au



PROJECT		LOT 2 PROSPECT PLACE BERRINBA		DRAWING No.		REV
CLIENT		B & L STEEL P/L		227 - MP7		
DRAWN	GP	SCALE	1:10	CHECKED	DATE	B
			23.05.2008			

B	ISSUED FOR FABRICATION	05-06-08
REV	REVISION DESCRIPTION	REV. DATE